

JDM Flowmeter



APPLICATION

- For extractive gas analysis
- For emission and process monitoring
- For adjustment and monitoring of sample gas flow
- For adjustment and monitoring of bypass and calibration gas flow
- For integration in gas analysis systems

BENEFITS

- Reliable and precise volume flow indication
- No change of sample gas
- Easy mounting and integration in gas analysis systems
- Very long lifetime
- Low and easy maintenance effort
- Corrosion resistant
- Gas tight

FEATURES

- Many different measuring ranges possible
- Calibration for air at 20°C and 1,2 bara
- Special calibration possible
- For wall or front panel mounting
- Measuring cone made of borosilicate glass, top and bottom fittings made of stainless steel or PVDF
- Floating ball made of stainless steel or optional Hastelloy® C4, titanium, POM or glass
- Different sealing materials like PTFE/Viton®, PTFE/FFKM, PTFE/EPDM or only FFKM resp. EPDM possible
- Integrated precise needle valve
- Can be equipped with one or two monostable resp. bistable limit switches also for Ex area
- Compact robust construction
- Low dead volume
- Suitable for high pressures and temperatures
- Variable connection technology



JCT

Analysentechnik
GmbH

Gas Sampling Probes

Heated Sample Lines

Sample Gas Coolers

Condensate
Treatment

Accessories

Gas Conditioning
Systems

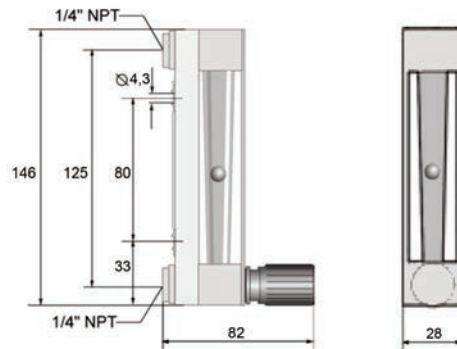
Sample Gas
Converters



TECHNICAL DATA

Model	JDM
Description	flowmeter with needle valve
Operation	
Measuring ranges	1,6....16 / 4....40 / 6....60 / 10....100 / 25....250 / 50....500 / 80....800 NI/hr
Accuracy	2,5 %
Operating temperature	-5°C....100°C (-5°C....65°C with limit switch)
Operating pressure at 100°C	stainless steel: 11 bara, PVDF: 5 bara
Construction	
Dimensions over al (B x H x T)	28 x 146 x 82 mm
Connections inlet / outlet	1/4" NPT female
Gas wetted materials	top / bottom fittings: SS316L or PVDF measuring cone: borosilicate glass floating ball: SS316 (glass, POM, titanium, Hastelloy® C4 optional) sealings: PTFE/Viton® (PTFE/FFKM, PTFE/EPDM, EPDM, FFKM optional)
Mounting	wall or front panel mounting
Electrics	
Switching function limit switch	bistable or monostable
Connection limit switch	2-wire DIN EN 50227 (NAMUR)
Nominal voltage U ₀ / current consumption	8 VDC / 1 mA bzw. 3 mA

DIMENSIONS



ORDER CODES

Order code	Description
84.00010	JDM flowmeter, SS316L, measuring range 6....60 NI/hr air, 1,2 bara
84.00020	JDM flowmeter, SS316L, measuring range 10....100 NI/hr air, 1,2 bara
84.00030	JDM flowmeter, SS316L, measuring range 25....250 NI/hr air, 1,2 bara
84.00040	JDM flowmeter, SS316L, measuring range 50....500 NI/hr air, 1,2 bara
84.00110	JDM flowmeter, PVDF, measuring range 6....60 NI/hr air, 1,2 bara
84.00120	JDM flowmeter, PVDF, measuring range 10....100 NI/hr air, 1,2 bara
84.00130	JDM flowmeter, PVDF, measuring range 25....250 NI/hr air, 1,2 bara
84.00140	JDM flowmeter, PVDF, measuring range 50....500 NI/hr air, 1,2 bara
K1703355	Limit switch (also for Ex area), bistable, for measuring ranges 16 / 40 / 60 NI/hr
K1703350	Limit switch (also for Ex area), bistable, for measuring ranges 100 / 250 / 500 / 800 NI/hr
K1704390	Isolation amplifier 230 VAC / 50 Hz, mono channel
K1704391	Isolation amplifier 230 VAC / 50 Hz, dual channel

Other measuring ranges, floating ball and sealing materials, special calibrations, monostable limit switches and suitable electronics also for Ex area on request

JCT Analystechnik GmbH

Werner Heisenberg-Straße 4 A-2700 Wiener Neustadt
 Tel. +43 (0) 2622 / 87201 Fax +43 (0) 2622 / 872011
 E-Mail: sales@jct.at Web: www.jct.at

