



PHOTOMETRIC STANDARD COMPLIANCE



**ICAO ANNEX 14, VOLUME I
TYPE B - LOW INTENSITY OBSTACLE
LIGHT.**



**FAA AC 150/5345-43F;
TYPE L-810.**

KEY FEATURES & BENEFITS

- designed and manufactured in Italy by Clampco Sistemi
- resistance to corrosion
- long life source
- easy way for mounting – plug ‘n’ play connection
- wide range power supply:
12,24,48 Vdc
110-230 Vac
- suitable for signaling:
Flares
Chimneys
Oil & Gas derricks
Cranes
Off shore infrastructures

SPECIFICATIONS

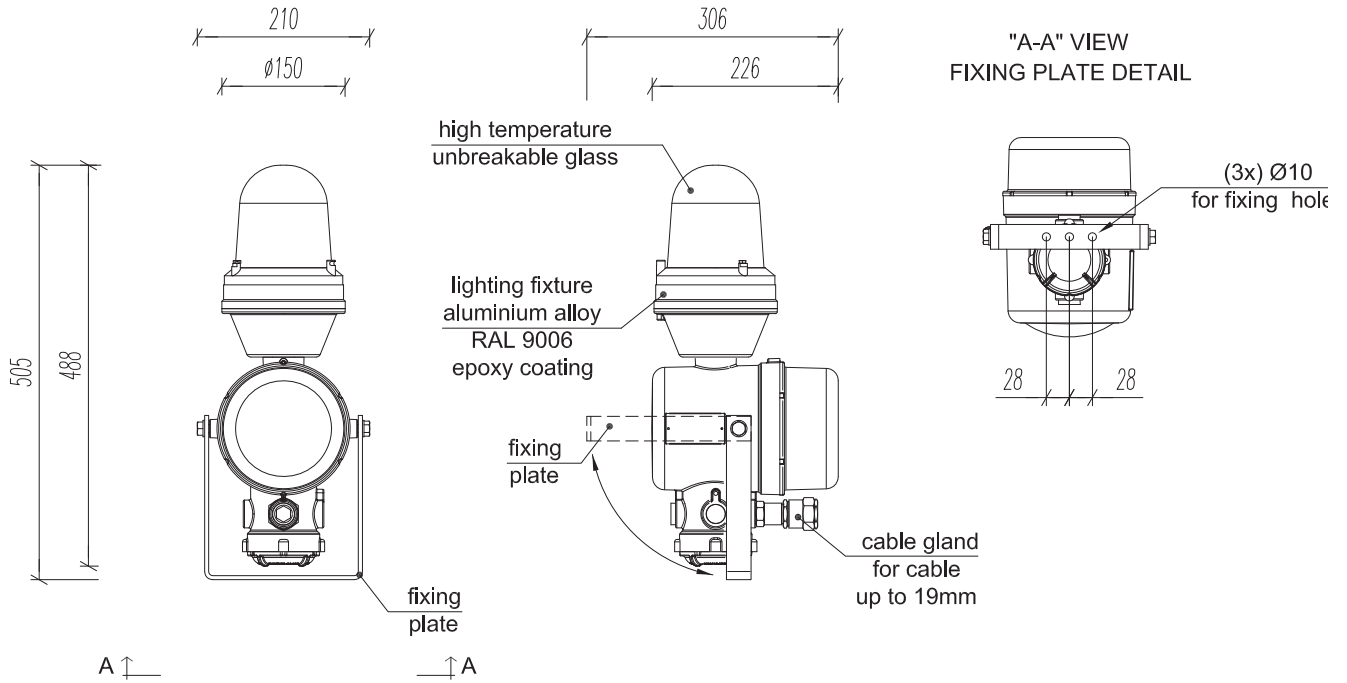
	SEGS12B32_EX3	SEGS24B32_EX3	SEGS48B32_EX3	SEGS23B32_EX3
Order Code	SEGS12B32_EX3	SEGS24B32_EX3	SEGS48B32_EX3	SEGS23B32_EX3
Typical use	Night time			
Light source	LED			
Type of beacon	Single Steady			
Alarm Management	Alarm remotization as dry contact			
Colour	Red according to CIE Chromaticity Boundary			
Light Intensity	>32.5 cd			
Horizontal coverage	360°			
Input voltage	12 Vdc	24 Vdc	48 Vdc	110 – 230 Vac
Power consumption	10 W	10 W	10 W	11 W
Average life	100 000 hours			
Temperature range	from -20 °C to +60 °C			
Protection degree	IP66			
Material of the body	Die cast aluminum alloy copper free			
Material of the transparent cap	Glass			
Connection	Barrier cable gland M20 nickel plated suitable for cable up to 24 mm			
Weight	6.5 Kg			
Mounting Hardware	Stainless steel anchor basement			
Fixing	3x Stainless steel Hexagon head screws M10x40			
Explosion proof protection	II 2G Exd IIC T4 Gb			
ATEX	INERIS 01 ATEX 0054X and INERIS 08 ATEX 0018X			
IECEx	INE 13.0075X and INE 13.0060X			

OPTIONS

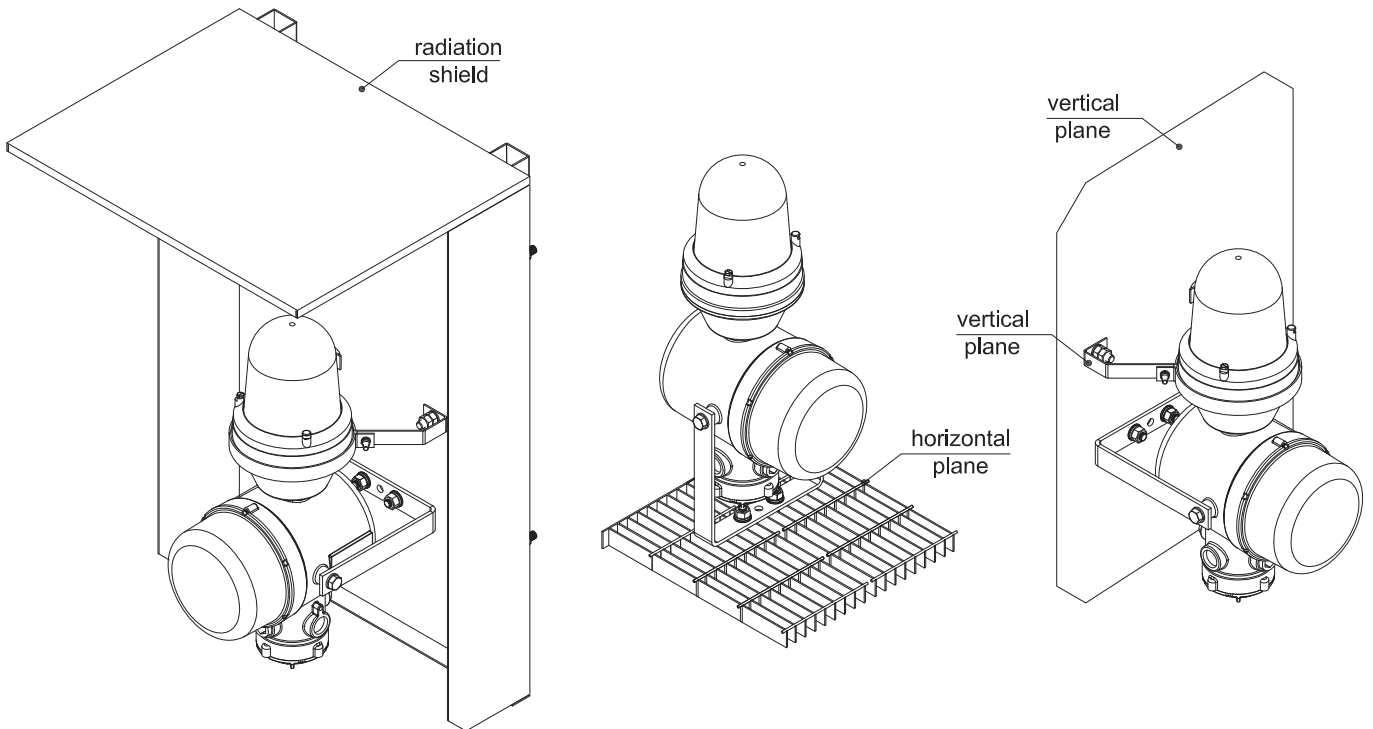
SEGDxxB32_1_EX3	Available as double unit
	Stainless steel radiation shield
SEGSxxB32_1_SEI_EX3	Integrated photoelectric switch 20-3000 Lux (adj.)
	Hawke stainless steel cable glands



TECHNICAL DRAWINGS



FIXING EXAMPLES



Clampco Sistemi reserves the right to make changes at any time in order to supply the best product possible.