



**SEGS24P2K\_EXIIC, SEGS48P2K\_EXIIC, SEGS23P2K\_EXIIC**

Single Medium Intensity Obstruction Light



**ICAO ANNEX 14, VOLUME I  
TYPE B - MEDIUM INTENSITY  
OBSTACLE LIGHT.**



**FAA AC 150/5345-43F;  
TYPE L-864.**

PHOTOMETRIC STANDARD COMPLIANCE

KEY FEATURES & BENEFITS

- designed and manufactured in Italy by Clampco Sistemi
- resistance to corrosion
- long life source
- easy way for mounting – plug 'n' play connection
- wide range power supply:  
12,24,48 Vdc  
110-230 Vac
- suitable for signaling:  
Flares  
Chimneys  
Oil & Gas derricks  
Cranes  
Off shore infrastructures

SPECIFICATIONS

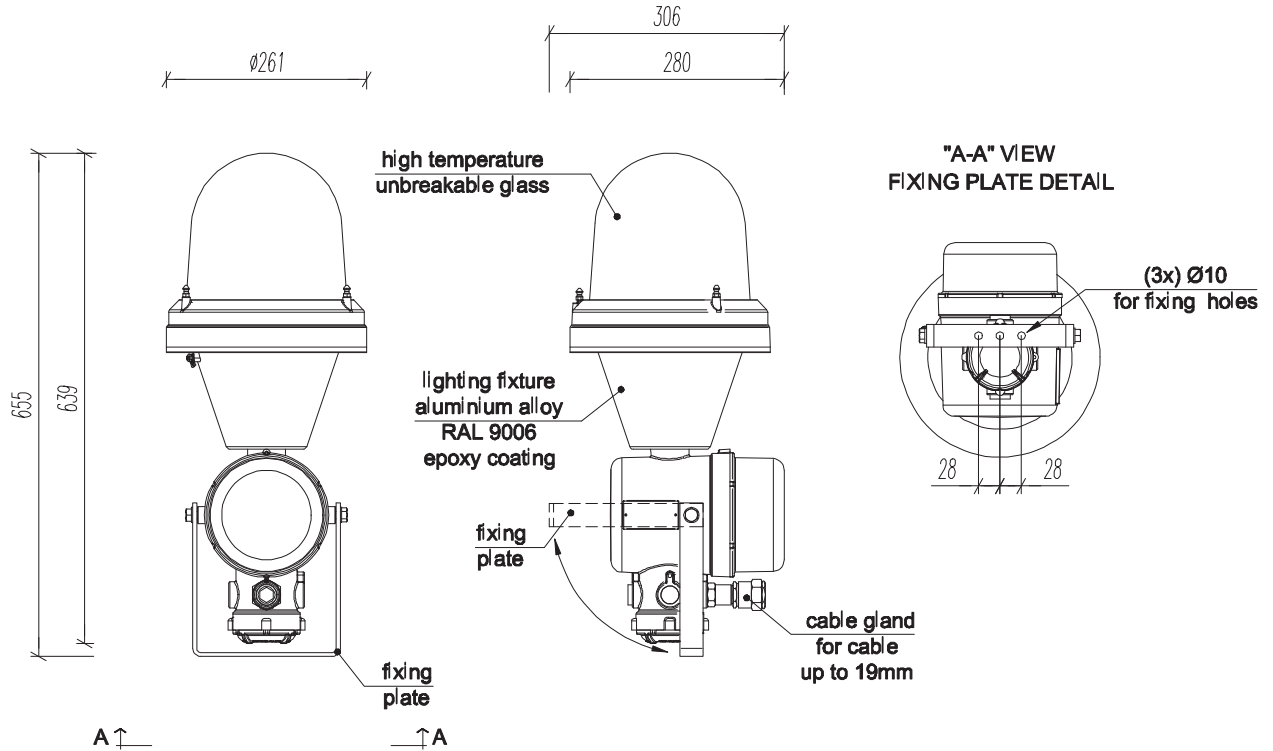
	<b>SEGS24P2K_EXIIC</b>	<b>SEGS48P2K_EXIIC</b>	<b>SEGS23P2K_EXIIC</b>
Order Code	<b>SEGS24P2K_EXIIC</b>	<b>SEGS48P2K_EXIIC</b>	<b>SEGS23P2K_EXIIC</b>
Typical use	Night time		
Light source	LED		
Type of beacon	Single		
Colour	Red according to CIE Chromaticity Boundary		
Light Intensity	>2000 cd		
Flashing rate	20-40 fpm (flash per minutes)		
Horizontal coverage	360°		
Alarm Management	Alarm remotization as dry contact		
Input voltage	24 Vac	48 Vdc	110 – 230 Vac (50-60 Hz)
Average power consumption	11 watt @ 25fpm τ= 500 ms		
Max power consumption	35 W		
Average life	100 000 hours		
Temperature range	from -40 °C to +60 °C		
Protection degree	IP66		
Material of the body	Die cast aluminum alloy copper free		
Material of the transparent cap	Glass		
Connection	Barrier cable gland M20 nickel plated suitable for cable up to 24mm		
Weight	15 Kg		
Mounting Hardware	Stainless steel anchor basement.		
Fixing	3x Stainless steel Hexagon head screws M10x40		
Explosion proof protection	II 2G Exd IIC T6		
ATEX	INERIS 01 ATEX 0054x and INERIS 08 ATEX 0018x		
IECEX	INE 13.0075x and INE 13.0060x		
GOST	POCC IT.ME92.B02923 and POCC IT.ME92.B02924		

OPTIONS

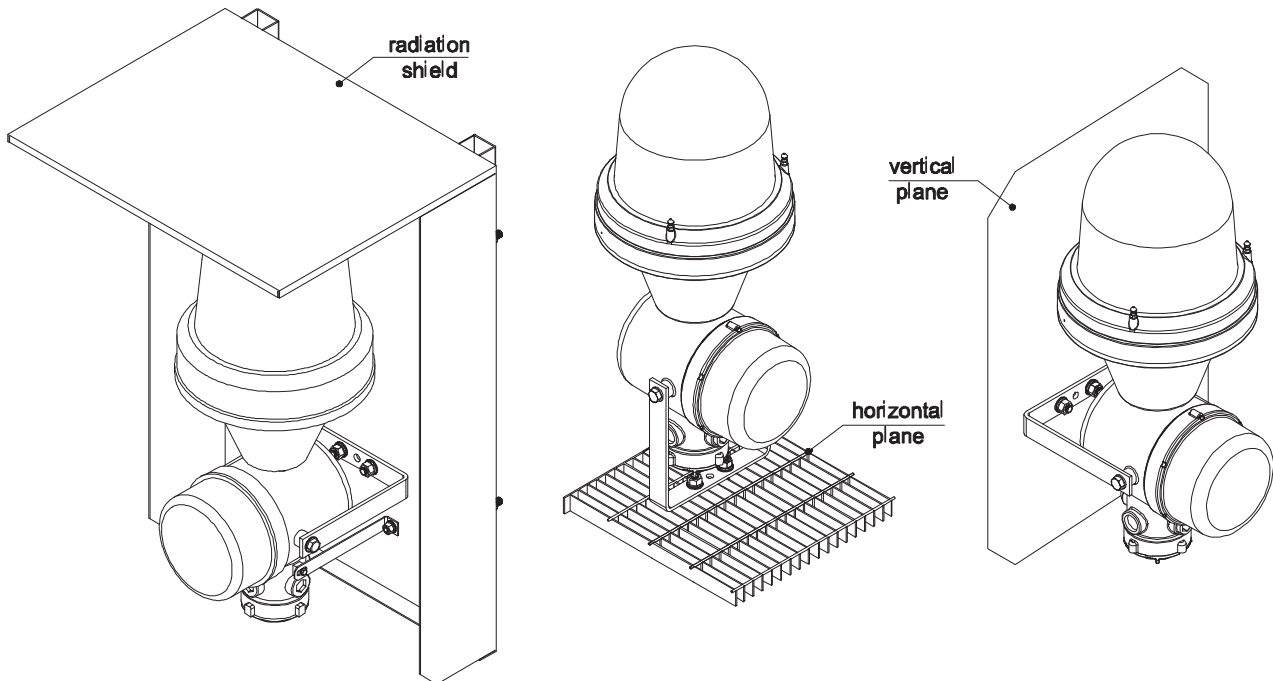
	Stainless steel radiation shield
SEGSxxP2K_SEI_EXIIC	Integrated photoelectric switch 20-3000 Lux (adj.)
	Hawke stainless steel cable glands



TECHNICAL DRAWINGS



FIXING EXAMPLES



Clampco Sistemi reserves the right to make changes at any time in order to supply the best product possible.



**SEGS24C2K\_EXIIC, SEGS48C2K\_EXIIC, SEGS23C2K\_EXIIC**

Single Medium Intensity Obstruction Light



PHOTOMETRIC STANDARD COMPLIANCE



**ICAO ANNEX 14, VOLUME I  
TYPE C - MEDIUM INTENSITY  
OBSTACLE LIGHT.**

**CAA-CAP 168  
MEDIUM INTENSITY  
OBSTACLE LIGHT**

KEY FEATURES & BENEFITS

- designed and manufactured in Italy by Clampco Sistemi
- resistance to corrosion
- long life source
- easy way for mounting – plug ‘n’ play connection
- wide range power supply:  
12,24,48 Vdc  
110-230 Vac
- suitable for signaling:  
Flares  
Chimneys  
Oil & Gas derricks  
Cranes  
Off shore infrastructures

SPECIFICATIONS

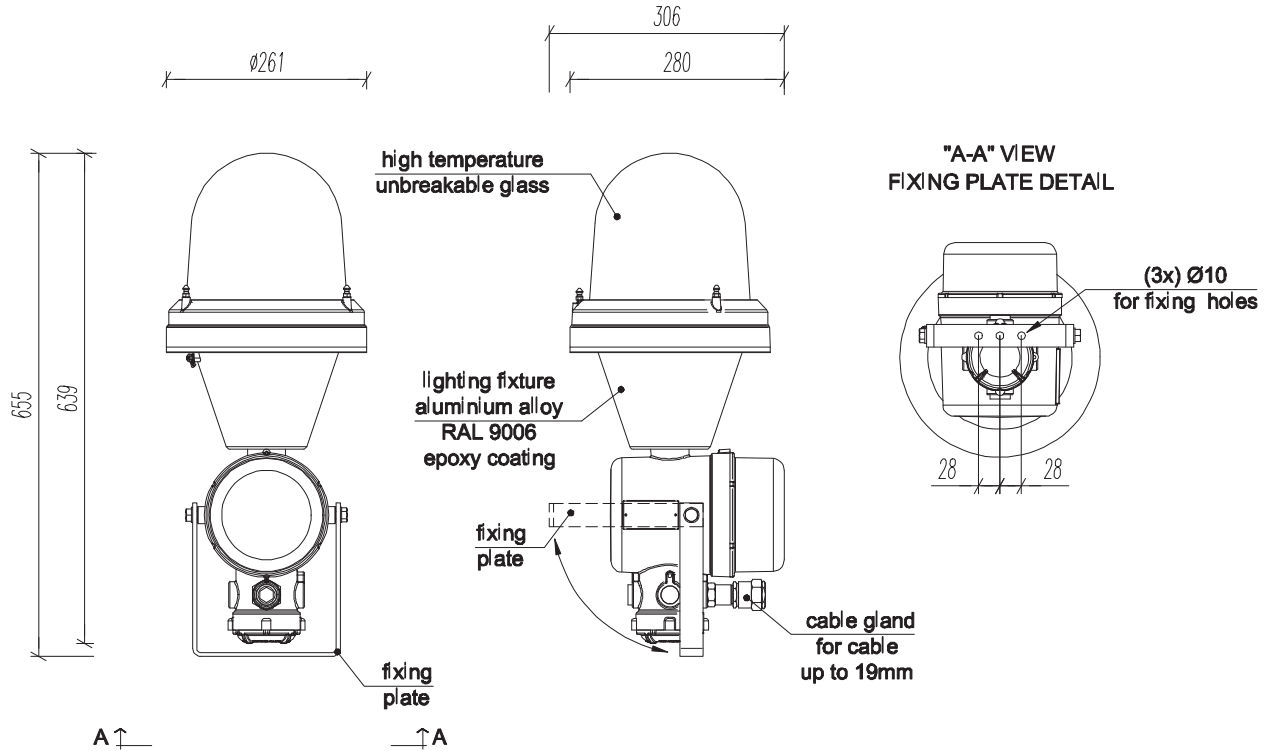
	<b>SEGS24C2K_EXIIC</b>	<b>SEGS48C2K_EXIIC</b>	<b>SEGS23C2K_EXIIC</b>
Order Code			
Typical use	Night time		
Light source	LED		
Type of beacon	Single		
Colour	Red according to CIE Chromaticity Boundary		
Light Intensity	>2000 cd		
Horizontal coverage	360°		
Alarm Management	Alarm remotization as dry contact		
Input voltage	24 Vac	48 Vdc	110 – 230 Vac (50-60 Hz)
Power consumption	35 W		
Average life	100 000 hours		
Temperature range	from -40 °C to +60 °C		
Protection degree	IP66		
Material of the body	Die cast aluminum alloy copper free		
Material of the transparent cap	Glass		
Connection	Barrier cable gland M20 nickel plated suitable for cable up to 24mm		
Weight	15 Kg		
Mounting Hardware	Stainless steel anchor basement.		
Fixing	3x Stainless steel Hexagon head screws M10x40		
Explosion proof protection	II 2G Exd IIC T6		
ATEX	INERIS 01 ATEX 0054x and INERIS 08 ATEX 0018x		
IECEX	INE 13.0075x and INE 13.0060x		
GOST	POCC IT.ME92.B02923 and POCC IT.ME92.B02924		

OPTIONS

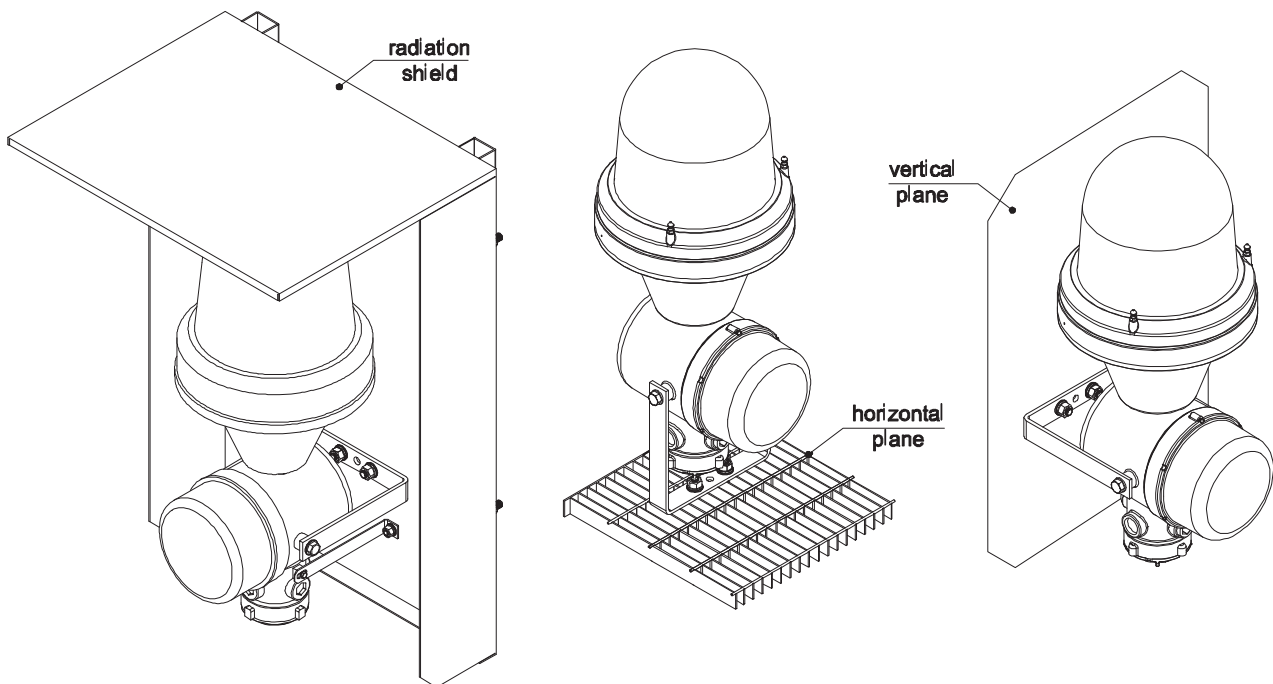
SEGSxxC2K_SEI_EXIIC	Stainless steel radiation shield
	Integrated photoelectric switch 20-3000 Lux (adj.)
	Hawke stainless steel cable glands



TECHNICAL DRAWINGS



FIXING EXAMPLES



Clampco Sistemi reserves the right to make changes at any time in order to supply the best product possible.



**SEGS24P20K\_EXIIC, SEGS48P20K\_EXIIC, SEGS23P20K\_EXIIC**

Single Medium Intensity Obstruction Light

PHOTOMETRIC STANDARD COMPLIANCE



**ICAO ANNEX 14, VOLUME I  
TYPE A - MEDIUM INTENSITY  
OBSTACLE LIGHT.**



**FAA AC 150/5345-43F;  
TYPE L-865.**

KEY FEATURES & BENEFITS

- designed and manufactured in Italy by Clampco Sistemi
- resistance to corrosion
- long life source
- easy way for mounting – plug 'n' play connection
- wide range power supply:  
24,48 Vdc  
110-230 Vac
- suitable for signaling:  
Flares  
Chimneys  
Oil & Gas derricks  
Cranes  
Off shore infrastructures

SPECIFICATIONS

	<b>SEGS24P20K_EXIIC</b>	<b>SEGS48P20K_EXIIC</b>	<b>SEGS23P20K_EXIIC</b>
Order Code			
Typical use	Day and Night time		
Light source	LED		
Type of beacon	Single		
Colour	White according to CIE Chromaticity Boundary		
Light Intensity	20 000 cd (day)/ 2000 cd (night)		
Flashing rate	20-40 fpm (flash per minutes)		
Horizontal coverage	360°		
Alarm Management	Alarm remotization as dry contact		
Input voltage	24 Vac	48 Vdc	110 – 230 Vac (50-60 Hz)
Average power consumption	70 watt (day)/ 10w (night) @ 25fpm τ= 500 ms		
Max power consumption	400 watt (day)/ 60w (night) @ 25fpm τ= 500 ms		
Average life	100 000 hours		
Temperature range	from -40 °C to +60 °C		
Protection degree	IP66		
Material of the body	Die cast aluminum alloy copper free		
Material of the transparent cap	Glass		
Connection	Barrier cable gland M20 nickel plated suitable for cable up to 24mm		
Weight	45 Kg		
Explosion proof protection	II 2G Exd IIC T6		
ATEX	INERIS 01 ATEX 0054x and BKI 08 ATEX 0048x		
IECEx	INE 13.0075x and BKI 09.0004		
GOST	POCC IT.ME92.B02923 and POCC IT.ME92.B02924		

OPTIONS

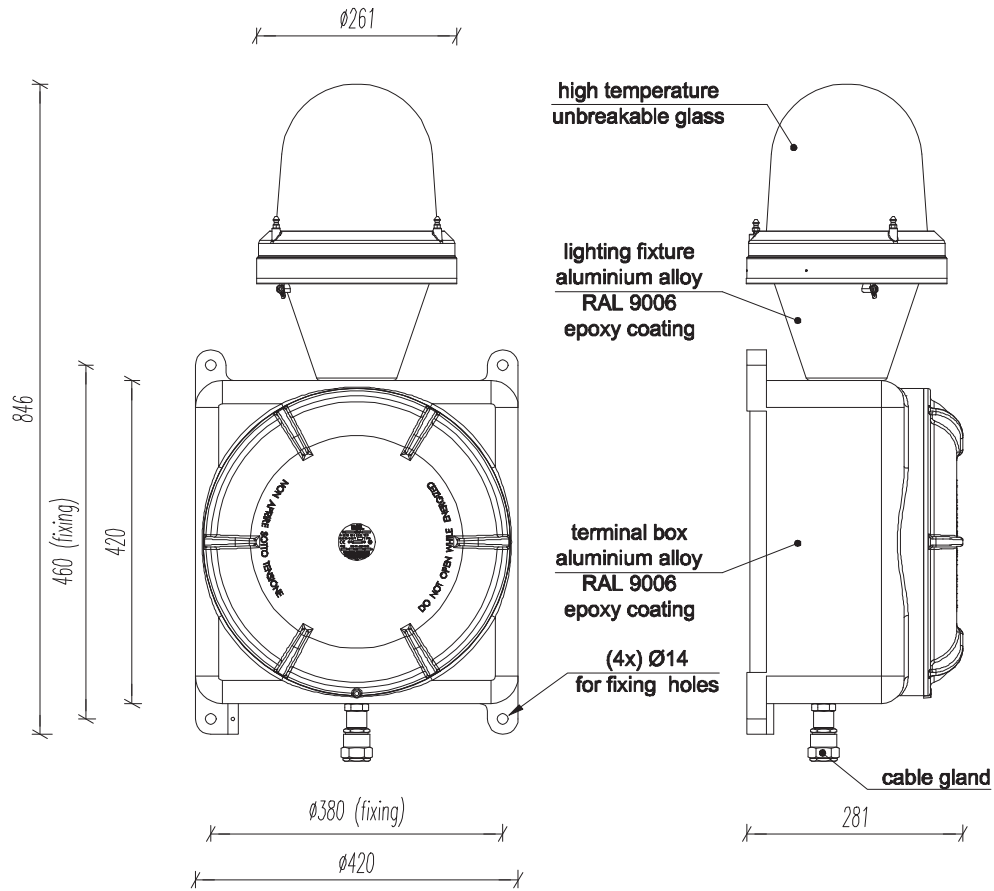
SEGSxxP20K_SEI_EXIIC	Stainless steel radiation shield
	Integrated photoelectric switch 20-3000 Lux (adj.)
	Hawke stainless steel cable glands



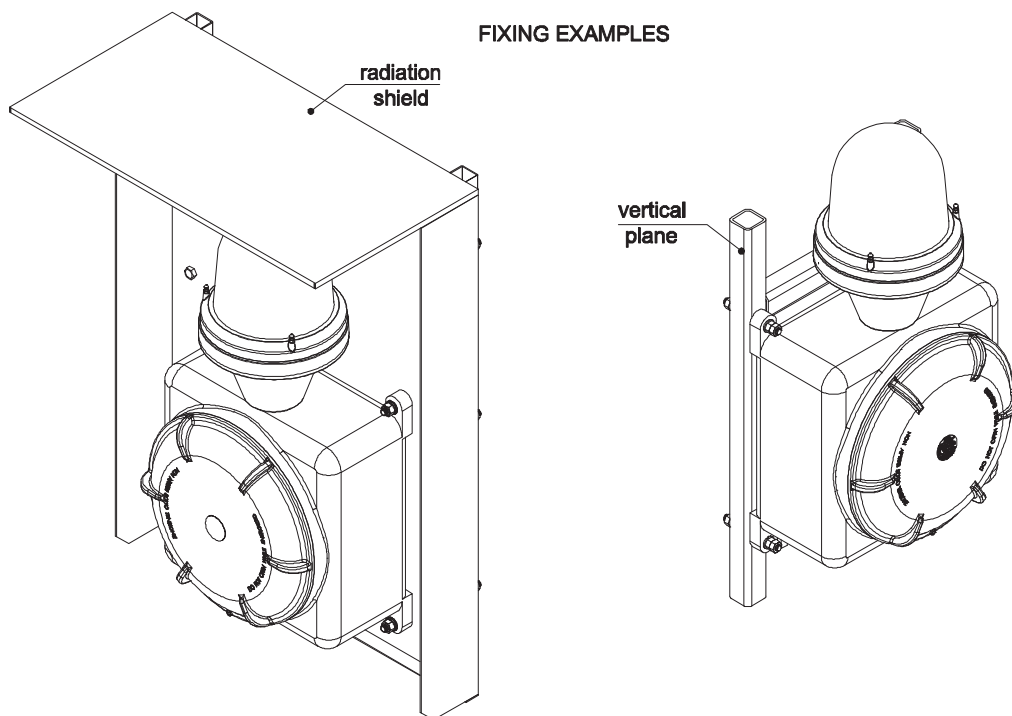
## SEGS24P20K\_EXIIC, SEGS48P20K\_EXIIC, SEGS23P20K\_EXIIC

### Single Medium Intensity Obstruction Light

#### TECHNICAL DRAWINGS



#### FIXING EXAMPLES



Clampco Sistemi reserves the right to make changes at any time in order to supply the best product possible.